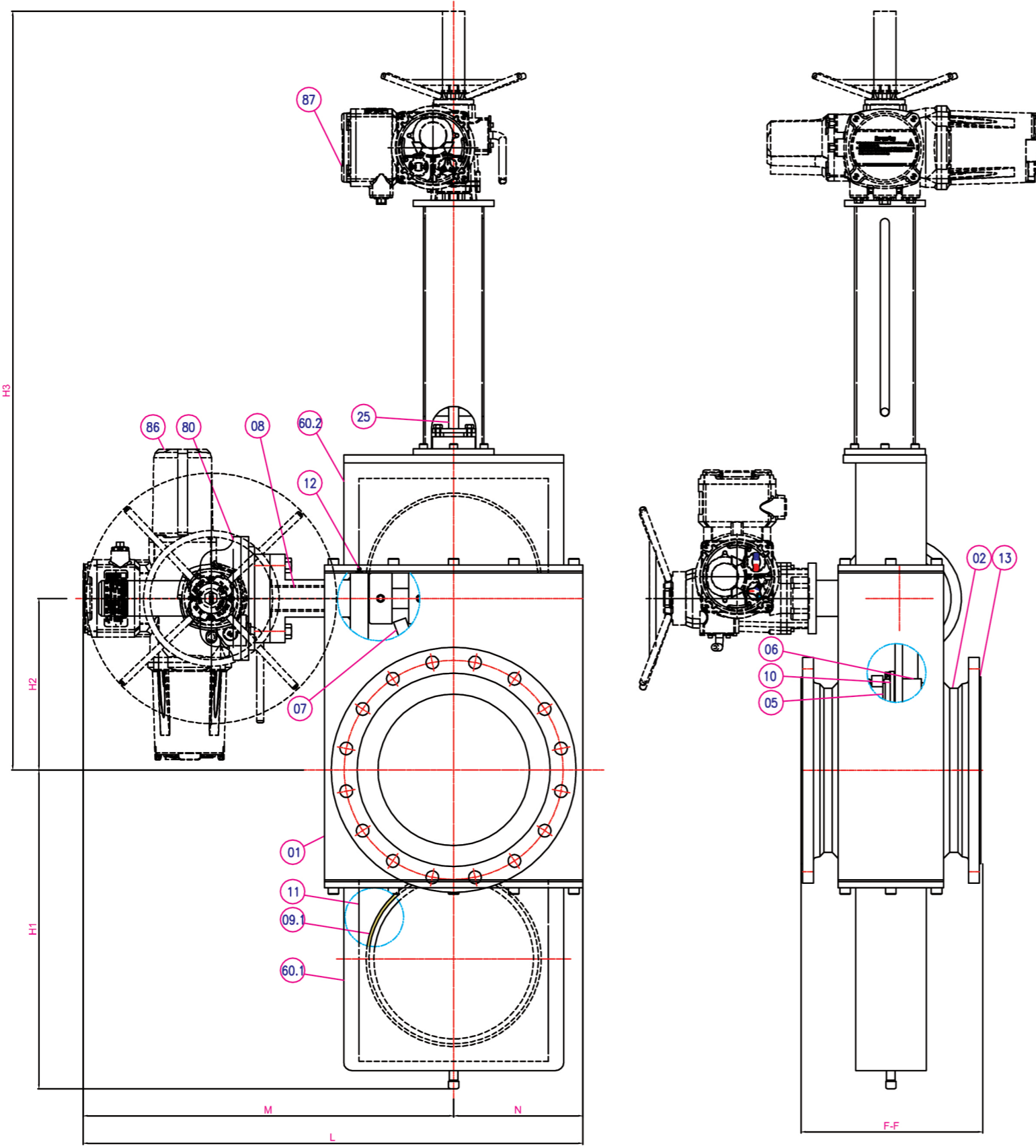


JIS 10K DESIGN

| SIZE | | MODEL | DIMENSION | | | | | | |
|------|-----|----------|-----------|-----|-----|------|------|-----|-----|
| INCH | DN | | F-F | H1 | H2 | H3 | L | M | N |
| 16 | 400 | BX-SB400 | 380 | 780 | 425 | 1960 | 1237 | 917 | 320 |



| | | | |
|------|--------------------------|------|---------------|
| 87 | E-Actuator | 1 | HM-004 |
| 86 | E-Actuator | 1 | HM-020 |
| 80 | Gear Box | 1 | |
| 60 | Cover | 2 | SS304 |
| 25 | Stem | 1 | A276-304 |
| 13 | Flange JIS10K | 2 | SA105 |
| 12 | Grease Fitting | 2 | SS304 |
| 11 | Spectacle Plate Assembly | 1 | A240-304 |
| 10 | Seal Carrier | 1 | A240-304 |
| 09.2 | Seal Ring | 1 | Viton |
| 09.1 | Seal Ring | 4 | Viton |
| 08 | Actuator Screw Assembly | 1 | A276-304 |
| 07 | Actuator Lever | 1 | A240-304 |
| 06 | CAMS | 1 | A182-F304 |
| 05 | ROLLER | 4 | A276-304 |
| 02 | Body Pipe | 2 | SA106-B |
| 01 | Body | 2 | SA516-70 |
| NO. | PART NAME | Q'TY | PART MATERIAL |

DESIGN & TEST DATA

| | | |
|--------------------|-------------|-------------|
| NO. REQUIRED | 1 | |
| TYPE | BLIND VALVE | |
| FLUID | MIXED GAS | |
| PRESS. DROP | CLEAN | - |
| kg/cm ² | DURTY | - |
| PRESSURE | DESIGN | 2 |
| kg/cm ² | OPERAT. | - |
| TEMP. (°C) | DESIGN | AMBIENT |
| | OPERAT. | - |
| TEST PRESS. | HYDROSTATIC | 3 |
| kg/cm ² | PNEUMATIC | - |
| 3 | | |
| 2 | | |
| 1 | | |
| 0 | | |
| REV | DATE | DESCRIPTION |

| | | |
|-------------|--|-------------------------------|
| PROJECT | | |
| MANUFACTURE | BX VALVE | ISSUE MARK - 2021.07.16 |
| TITLE | BLIND VALVE Model : BX-SB 400A JIS10K | 1/1 |
| JOB NO. | - | DRAWING NO. |
| SCALE | - | - |