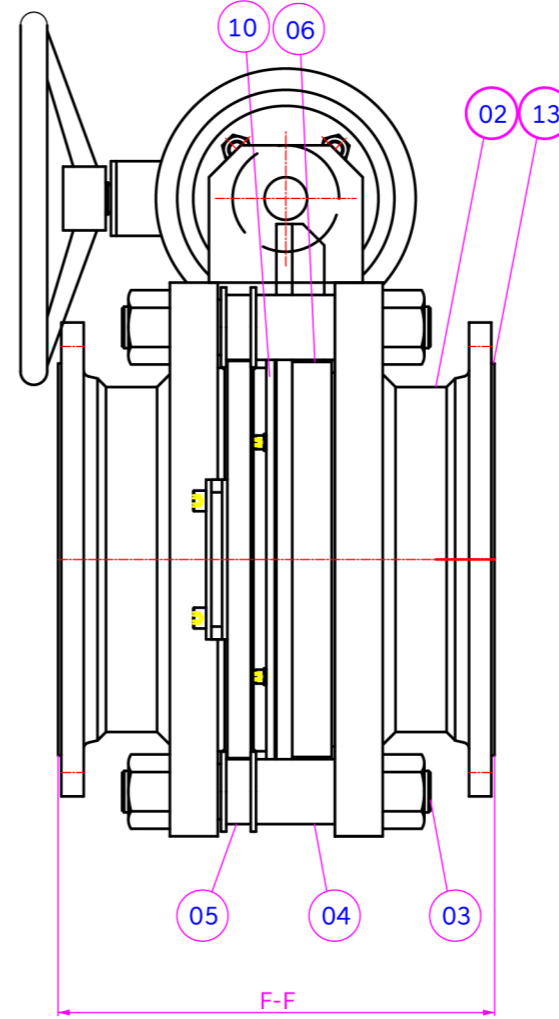
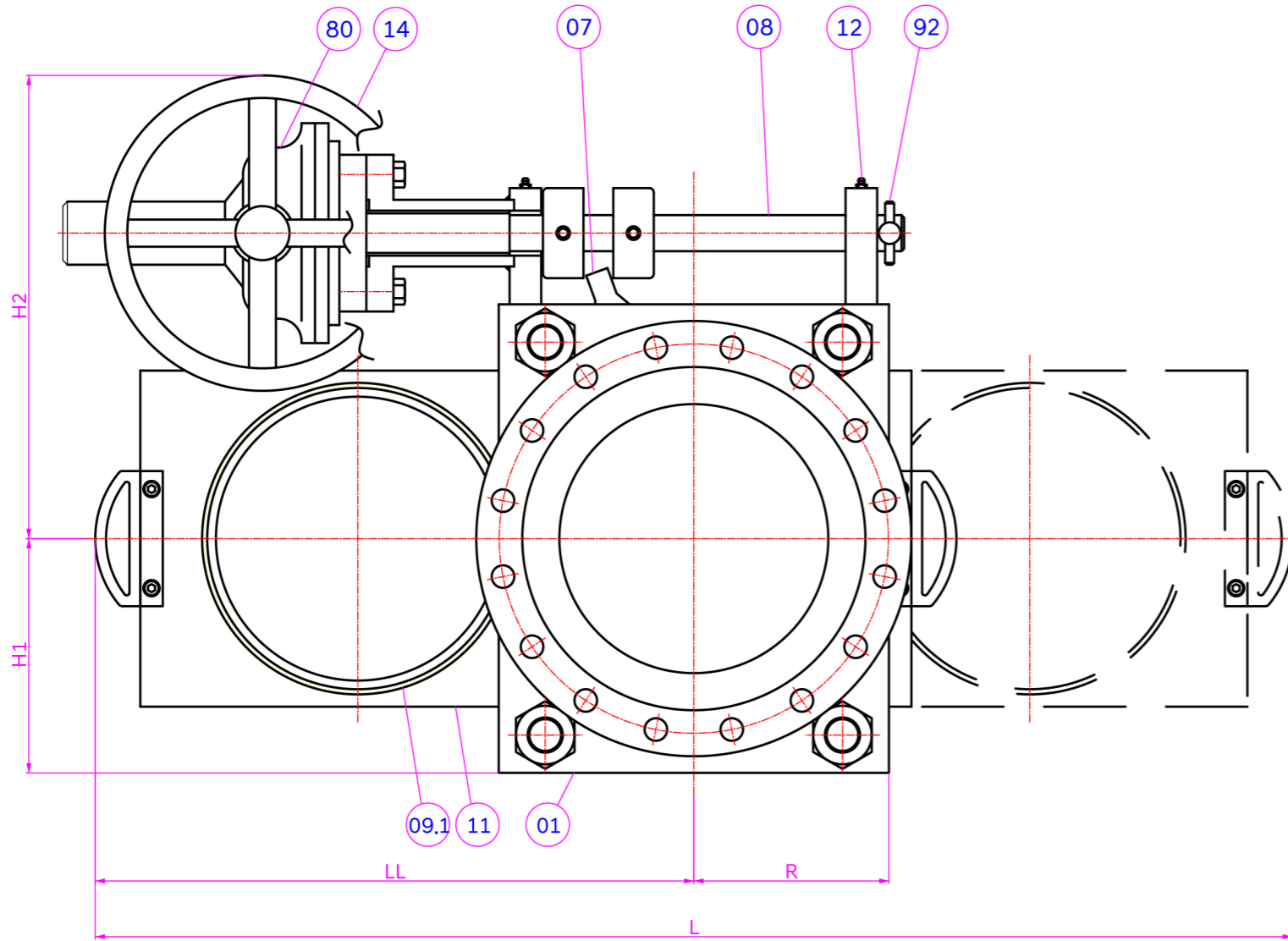


JIS 10K DESIGN

SIZE		MODEL	DIMENSION					
INCH	DN		F-F	H1	H2	L	LL	R
0.5	15	BX-SL15	190	58	140	264	132	49
1	25	BX-SL25	190	58	140	264	132	49
1.25	32	BX-SL32	210	71.5	170	317	158.5	60
1.5	40	BX-SL40	210	71.5	170	317	158.5	60
2	50	BX-SL50	230	82	210	371	185.5	70.5
2.5	65	BX-SL65	240	90	220	400	200	72
3	80	BX-SL80	270	108	262	499	249.5	85
4	100	BX-SL100	280	120	284	564	282	97
5	125	BX-SL125	300	140	335	660	330	115
6	150	BX-SL150	320	160	350	742	371	126

SIZE		MODEL	DIMENSION					
INCH	DN		F-F	H1	H2	L	LL	R
8	200	BX-SL200	340	195	433	940	470	155
10	250	BX-SL250	370	235	485	1141	570.5	195
12	300	BX-SL300	430	260	514	1329	664.5	216.5
14	350	BX-SL350	470	290	626	1438	719	245
16	400	BX-SL400	520	320	680	1630	815	280
18	450	BX-SL450	560	360	754	1850	925	315
20	500	BX-SL500	600	400	754	1975	987.5	337.5
24	600	BX-SL600	700	450	805	2307	1153.5	397.5
26	650	BX-SL650	700	490	1030	2560	1280	450
28	700	BX-SL700	740	520	1055	2800	1400	505

92	Lock Pin	1	A276-304
80	Gear Box	1	
14	Hand Wheel	1	A126-B
13	Flange 150 ASME Welding Neck	2	A182-F304
12	Grease Fitting	2	SS304
11	Spectacle Plate Assembly	1	A240-340
10	Seal Carrier	1	A240-340
09.2	Seal Ring	1	Viton
09.1	Seal Ring	4	Viton
08	Actuator Screw Assembly	1	A276-304
07	Actuator Lever	1	A240-304
06	CAMS	1	A182-F304
05	ROLLER	4	A276-304
04	Body Bolt Spacer	4	A276-304
03	Body Bolt	4	A193-B8
02	Body Pipe	2	A312-TP304
01	Body Flange	2	A240-304
NO.	PART NAME	Q'TY	PART MATERIAL



DESIGN & TEST DATA		
NO. REQUIRED	1	
TYPE	BLIND VALVE	
FLUID	각종 GAS LINE	
PRESS. DROP kg/cm ²	CLEAN	-
	DURTY	-
PRESSURE kg/cm ²	DESIGN	10
	OPERAT.	-
TEMP. (°C)	DESIGN	AMBIENT
	OPERAT.	-
TEST PRESS. kg/cm ²	HYDROSTATIC	15
	PNEUMATIC	-
3		
2		
1		
0		
REV	DATE	DESCRIPTION

PROJECT		
MANUFACTURE	BX VALVE	ISSUE MARK - 2021.07.16
TITLE	BLIND VALVE Model : BX-SL	1/1
JOB NO.	-	DRAWING NO.
SCALE	-	-