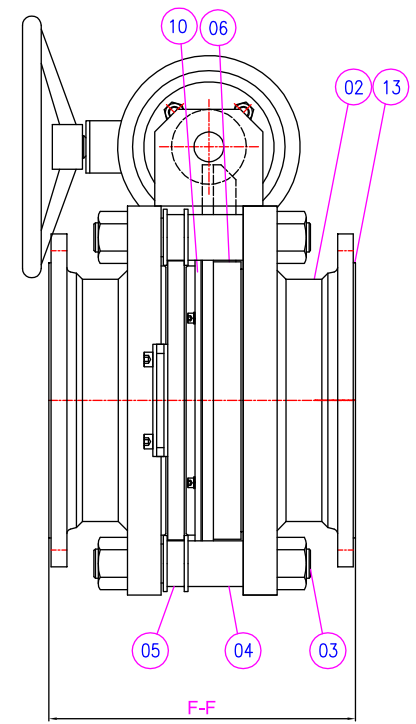
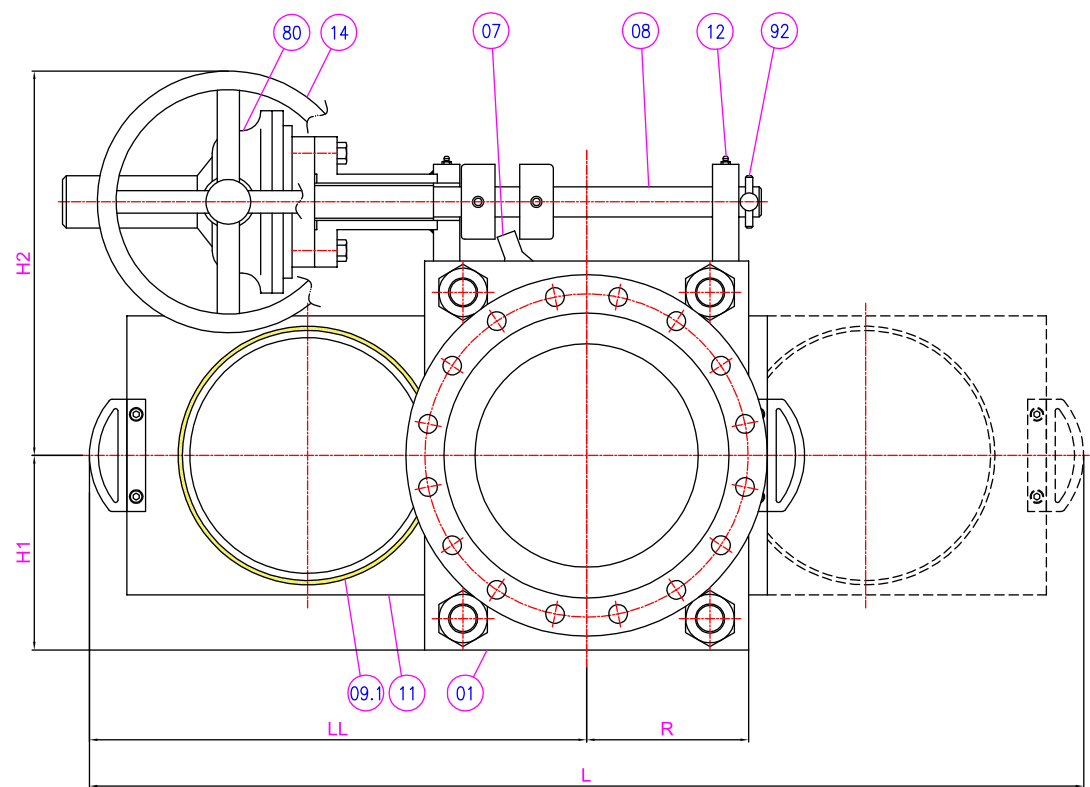


92	Lock Pin	1	A276-304
80	Gear Box	1	
14	Hand Wheel	1	A126-B
13	Flange 150 ASME Welding Neck	2	A182-F304
12	Grease Fitting	2	SS304
11	Spectacle Plate Assembly	1	A240-340
10	Seal Carrier	1	A240-340
09.2	Seal Ring	1	Viton
09.1	Seal Ring	4	Viton
08	Actuator Screw Assembly	1	A276-304
07	Actuator Lever	1	A240-304
06	CAMS	1	A182-F304
05	ROLLER	4	A276-304
04	Body Bolt Spacer	4	A276-304
03	Body Bolt	4	A193-B8
02	Body Pipe	2	A312-TP304
01	Body Flange	2	A240-304
NO.	PART NAME	Q'TY	PART MATERIAL

JIS 10K DESIGN

SIZE		DIMENSION					
INCH	DN	F-F	H1	H2	L	LL	R
14	350	470	290	626	1438	719	245



DESIGN & TEST DATA		
NO. REQUIRED	1	
TYPE	BLIND VALVE	
FLUID	各種 GAS LINE	
PRESS. DROP	CLEAN	-
kg/cm <sup>2</sup>	DURTY	-
PRESSURE	DESIGN	10
kg/cm <sup>2</sup>	OPERAT.	-
TEMP. (°C)	DESIGN	AMBIENT
	OPERAT.	-
TEST PRESS.	HYDROSTATIC	15
kg/cm <sup>2</sup>	PNEUMATIC	-
3		
2		
1		
0		
REV	DATE	DESCRIPTION

PROJECT	
MANUFACTURE	BX VALVE
TITLE	BLIND VALVE Model : BX-SL 350A JIS10K
JOB NO.	-
SCALE	-
ISSUE MARK	2021.07.16
	1/1
DRAWING NO.	-